

Safety information before using VUEROID Dashcam

Warning

Do not expose this product to rain, moisture or water under any circumstances, doing so may result in the risk of electric shock or fire.

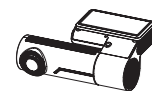
Caution

To reduce the risk of electric shock, do not perform any servicing other than that contained in this instruction unless you are qualified to do so. Please make sure to have the product serviced by a qualified service technician if you are facing with some cases as follows;

1. The unit has been exposed to rain or water.
2. The unit does not seem to operate normally.
3. The unit shows a marked change in performance.

VUEROID does not warrant any defects that can be caused by owner's fault. VUEROID is not responsible for any damaged that occur while driving.

Items included in the package



Dashcam



Rear View Camera



Hardwiring Cable
(3m/9.8ft)



Rear View Camera Cable
(6m/19.6ft)

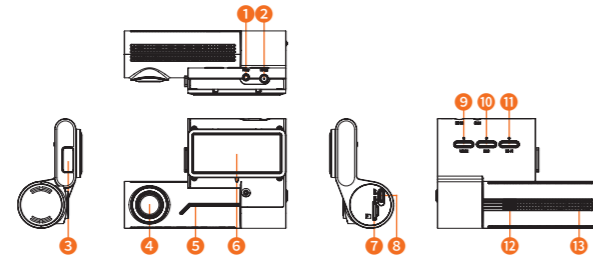


Micro SD Card



Quick Manual

Part names



Mark	Description
1	CAM Input Port Connect rear camera
2	DC-IN Power Port Connect power cable
3	Wi-Fi Dongle Wi-Fi dongle for Wi-Fi network connection
4	Front Camera Lens Front view recording
5	Front LED Indicate parking status and provides security effect
6	Mount Bracket Installation Mount
7	Memory Card Slot A slot for a memory card
8	Power Switch Power ON/OFF
9	Voice Button Voice recording ON/OFF (Press only once) Voice guidance ON/OFF (Press more than 3 seconds)
10	Manual Recording Button Press to record manually
11	Wi-Fi Button Wi-Fi ON/OFF
12	Speaker Voice guide
13	Microphone Voice recording

⚠ Format memory card manually : Press Voice and Wi-Fi buttons simultaneously for more than 3 seconds.

Key Features



FHD DUAL



SONY Starvis Image Sensor



HDR



Night Vision



Wi-Fi



Prevent Discharge



Time Lapse



Format Free

Installation

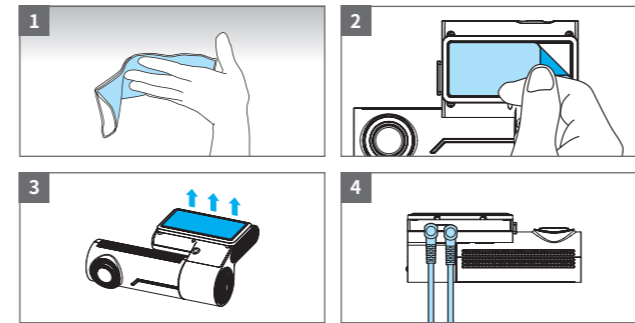
Caution

- Make sure to install a device in a safe area and make sure the vehicle is turned OFF.
- Check if the MicroSD Card is inserted correctly before connecting to a power.
- Make sure the installation area is clean.
- Unplug the DC power if you are not using the device for a long period of time.
- Do not drop the product as it may not function properly.
- During extreme high temperatures or in a hot weather season, parking indoor is suggested.

Inserting MicroSD Card

- Do not apply excessive force on the MicroSD card or insert in the wrong direction. Any actions which may cause a MicroSD card error, will be the responsibility of the user.
- Please test MicroSD card for errors frequently because it is a consumable item, it should be replaced periodically.
- Make sure the Dashcam is turned off when you remove the MicroSD card.
- Any problems arising from the use of MicroSD cards other than VUEROID are responsibility of the user.
- Periodically back up the important recorded files on other storage devices.

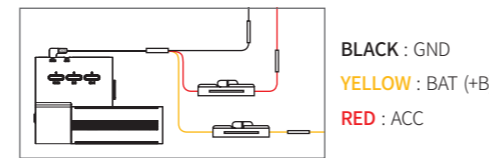
1. Installing front camera



- (1) Clean the area where Dahscam will be installed.
- (2) Remove the protective film from the mount bracket.
- (3) Make sure the front camera lens is located in the center of the windshield. Press the mount to the installation location.
- (4) Connect power cable to DC-IN power port and rear camera.

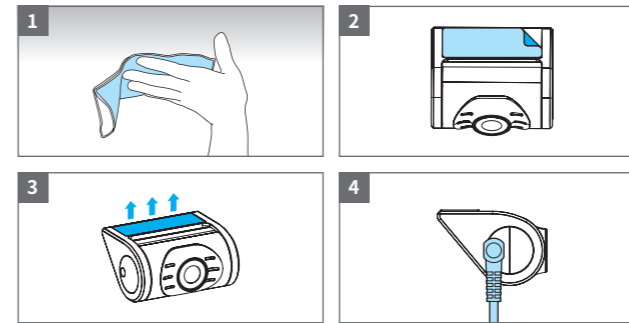
⚠ Leave enough space and avoid overlapping wires to avoid interrupting reception with other devices such as navigation systems.

2. Connecting Hardwiring Cable



⚠ Please visit a professional installer to connect hardwire cable.

3. Installing rear camera



- (1) Clean the area where the rear camera will be installed.
- (2) Remove the protective film from the mount bracket.
- (3) Make sure the rear camera lens is located in the center of the windshield. Press the mount to the installation location.
- (4) Connect rear camera cable.

⚠ Before installation, make sure the vehicle engine is off.
⚠ Make sure the installation location doesn't interfere with camera view.

Product Specifications

Item	Description
Camera	CIS Front : SONY Starvis (IMX307) Rear : CMOS Image sensor
	Resolution Front / Rear : 1920 x 1080 @ 30fps
	View Angle Front : (D)146° x (H)117° x (V)60° Rear : (D)128° x (H)106° x (V)55°
Memory Card	Micro SD Card (16GB/32GB/64GB/128GB/256GB) *32GB included
LED Indicators	Front : Security & Status LED Rear : Security LED
G-Sensor	3-Axis Acceleration Sensor, +2g / -2g
Speaker	Built-in Speaker (Voice Guide)
Microphone	Built-in Microphone
Video Codec	H.264 High Profile
Recording Mode	Normal / Event / Manual / Parking (Motion & Time lapse)
Dimensions	Front : (W)112mm x (H)72mm x (D)35mm Rear : (W)52mm x (H)29mm x (D)42mm
Weight	Front : 107.5g / Rear : 28g
Power Input	DC 12V ~ 24V
Power Consumption	Max. 5.4W at 12V
Operating Temp.	-20°C ~ 70°C (-4°F ~ 158°F)
High Temp. Cut-off	Approximate 70°C (158°F) / Battery Discharge Prevention

VUEROID



www.vueroid.com

Quick Start Guide



ZERO FHD FHD Dual Dashcam / Wi-Fi



VUEROID DASH CAMERA.
Make sure to understand the contents of the manual to use the product correctly.

Frequently Asked Questions

- Q1. Is it possible to use the product regardless of vehicle type?**
The product for both 12V and 24V can be used regardless of vehicle type.
- Q2. What is a low voltage prevention function (vehicle battery discharge)?**
The product is embedded with a low voltage prevention function. You can set voltage value in setting menu. If the voltage of a vehicle drops below the set value, the power of the product will be turned off automatically.
- Q3. No impact has occurred but a video file is saved in an event folder.**
The product detects impact through a G-sensor. An impact is saved in an event folder when the product detects shaking of a vehicle going over a speed bump or in other situations. It is possible to adjust the impact sensitivity in setting menu.
- Q4. No power or keeps rebooting**
1) Check the power jack is properly plugged in
2) Check the hardwiring cable is properly connected with the fuse and ground wire to the vehicle body
3) Check the SD card
- SD card properly inserted
- Replace SD card
- Format SD card

Warranty Information

- The followings not apply to the warranty.
- 1) Cosmetic damage such as scratches and dents.
 - 2) Damage caused by accident or natural disaster.
 - 3) Damage caused by service performed by anyone who is not an authorized service provider of VUEROID.
 - 4) Damage to a product by using power or accessories not supplied by VUEROID.

Firmware and Manual download is available in VUEROID website (<http://www.vueroid.com/support/downloads>)

Using PC Viewer (Windows/Mac)

1. Software download and install

You can download VUEROID PC Viewer software from the VUEROID website (<https://vueroid.com/support/downloads>) and install it on your PC

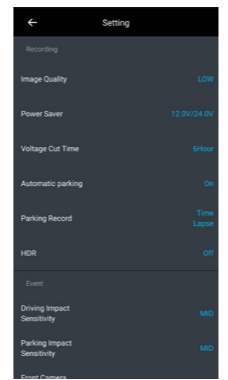
2. Start PC Viewer



- (1) Insert the MicroSD Card to your PC.
- (2) Open VUEROID PC Viewer.
- (3) Click 'Open Folder' or 'Open SD Card' and select the inserted MicroSD Card.
- (4) Video files in the MicroSD Card will be added in the file list of PC Viewer.
- (5) Select the video you want to play.

7. Setting

You can set the features as your preferences using VUEROID smartphone App or PC viewer.



Recording	Settings for image quality, Voltage cut-off options, Parking mode options and HDR.
Event	Settings for impact and motion events sensitivity while parking.
Sound	Settings for voice recording options and speaker volume.
Time	Settings for standard time and the current time.
Memory	Settings for memory allocation / Micro SD card Format.
System	Settings for system / Reset.

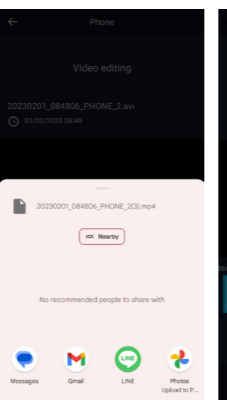
5. File list

You can view and play the recorded videos through File list.



1 Drive	Driving recorded videos. Recorded videos are saved for 1minute segment with an auto-looping mechanism.
2 Event	Event-triggered videos. Video saved for 30 seconds, 10 seconds before an impact and 20 seconds after an impact.
3 Park	Parking recorded videos. Video saved for 30 seconds including motion/impact event.
4 Manual	Manual recording videos are saved for 30 seconds, 10 seconds before manual recording button is pushed and 20 seconds after.
5 Phone	Recording videos downloaded in your smart phone.

6. Edit video and share

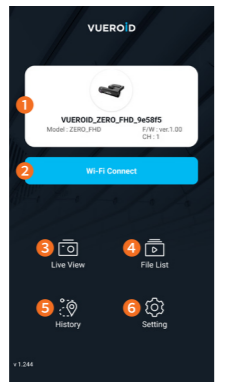


You can edit the recorded videos in the file list. To start the editing, video should download to your smartphone first. Edit the video then share it after disconnect VUEROID Wi-Fi and use mobile network.

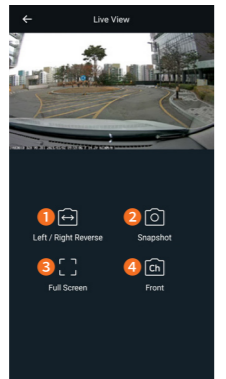
1 Wi-Fi Status	Display Wi-Fi status and information of the connected Dashcam.
2 Connect Wi-Fi	Connect or disconnect Wi-Fi.
3 Live View	Front / Rear live view.
4 File List	View and play the recorded files.
5 History	Event and trip history.
6 Setting	Menus for setting.

1 Left / Right Reverse	Reverse the image Left / Right.
2 Snapshot	Capture image from the video.
3 Full Screen	Display the full screen.
4 CH (Front / Rear)	Select front or rear live view.

3. Home Screen



4. Live View Mode



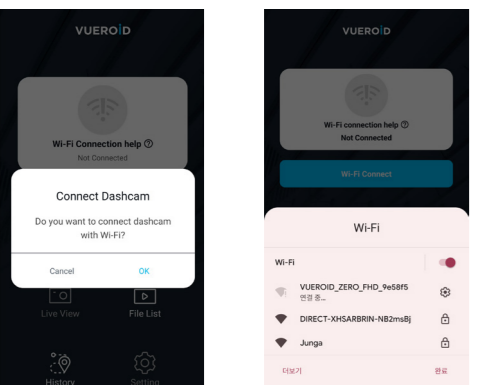
Using smartphone application (Android/iOS)

1. Wi-Fi Application Download and Installation

Search "VUEROID Dashcam" in the Google Play Store or Apple Store then install it on your smartphone.

2. Connect your Dashcam to smartphone via Wi-Fi

Turn on the Wi-Fi by pressing Wi-Fi button on the Dashcam. Then it shows a SSID (VUEROID_ZERO_FHD_XXXXXX) in the list of Wi-Fi network.



- (1) Press "OK" once "Connect Dashcam" screen pop up.
- (2) Select Wi-Fi network (VUEROID_ZERO_FHD_XXXXXX) in the Wi-Fi network list.
- (3) Enter password. Default password is **12345678**